

PRODUCT OVERVIEW

The TMV3 Thermostatic Wash Basin Mixer Tap benefits from red/blue temperature indicators and an extended paddle lever handle for simple operation using a hand, closed fist or elbow.

Ideal for wash basins in domestic or commercial environments with TMV3 approval and thermostatic temperature protection.



FEATURES & BENEFITS

- + TMV3 approval eliminates risk of scalding, making it ideal for installation in domestic, Doc M compliant, or commercial bathrooms
- + Thermostatically stabilised temperature ensures consistency, even if water pressure changes elsewhere in the home
- + Easy-to-use extended paddle lever handle is designed even for people with limited dexterity
- + Red and blue temperature indicators make it simple to use
- + Sequential mixer valve with preset maximum temperature of 41°C which can be adjusted, if required

WARRANTY & APPROVALS

- + 5-Year Warranty
- + TMV3
- + WRAS approved



TECHNICAL SPECIFICATION

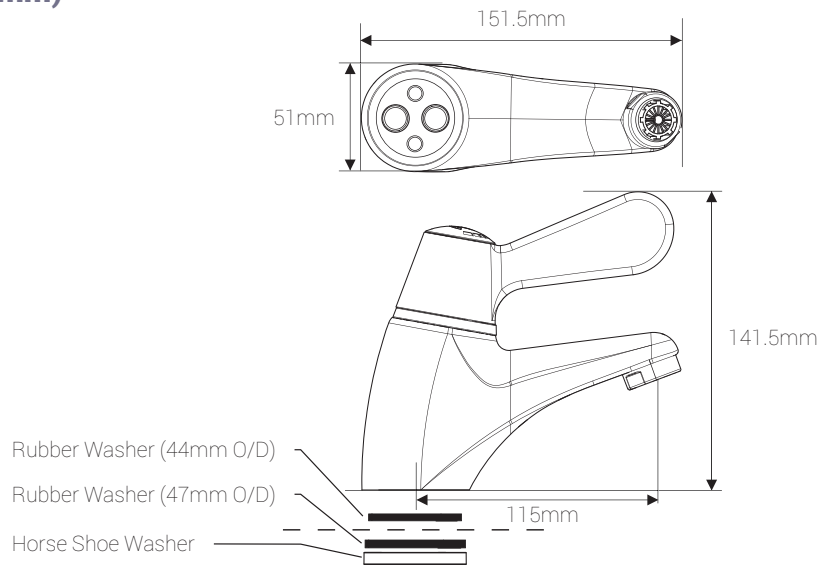
Water Pressure Requirements:

- Running Water Pressure (Mains): 0.2-5.0 bar
- Maximum Static Water Pressure (Gravity & Mains): 10 bar
- Maximum Dynamic Water Pressure: 5 bar

OPERATING PRESSURE RANGE	HIGH	LOW
Max Static Pressure (bar)	10	10
Flow Pressure, hot and cold (bar)	1-5	0.2-1
Hot Supply Temperature (°C)	52-65	52-65
Cold Supply Temperature (°C)	5-20	5-20
Min Temperature (°C) differential between blended water and hot or cold water supply	10	10

- + Single lever provides sequential operation from OFF through COLD and WARM to a maximum blend temperature preset at 41°C, which can be adjusted, if required
- + Complies with the NHS Estate Model Engineering Specification-D08

DIMENSIONS (mm)



PRODUCT CODE

TMV3 Thermostatic Wash Basin Mixer Tap

23116A