



**AKW**<sup>®</sup>  
Life Made Better

# BIDET COLLECTION

# MORE THAN WORDS: HOW WE'RE MAKING LIFE BETTER



Scan to follow our ESG journey

## PROTECTING OUR PLANET

- + Committed to reducing plastic waste and increasing use of more sustainable materials
- + Invested in the design of water-saving products to help preserve resources and lower utility bills



## HELPING OUR COMMUNITY

- + AKW Helping Hands Volunteering scheme enables colleagues to support local good causes as part of their employment, with two paid volunteering days per year



## SUPPORTING OUR PEOPLE

- + Encourage training and development opportunities
- + Access to colleague benefits platform which helps to save money on everyday expenses



## ECOVADIS GOLD MEDAL

- + Awarded EcoVadis Gold Medal sustainability rating - putting us in top 5% of companies assessed globally



## WORKING RESPONSIBLY WITH OUR SUPPLIERS

- + Collaborating with transport providers to reduce carbon emissions
- + Building relationships with suppliers who actively give back

## PROMOTING FAIRNESS THROUGH OUR POLICIES

- + Employee Assistance Program and Occupational Health supports colleague well-being and mental health
- + Enhanced maternity, paternity and adoption leave, flexible working opportunities, offering reasonable adjustments



# MODERN SOLUTIONS TO INTIMATE CARE

For over 40 years, we've made it our mission to design innovative, intelligent and inclusive bathroom products which promote independence and preserve dignity.

The AKW Bidet collection supports people with physical and/or cognitive conditions which can make going to the toilet a challenge, and may be dependent on additional help, by ensuring they can use the toilet with more dignity and ease than ever before.

This brochure explains the many positive benefits of installing a wash/dry toilet, and introduces our range of solutions to make toileting a safer experience for all.

## CONTENTS

DIGNITY REDEFINED	4
THE 4 Cs: CLEAN, CARE, COMFORT, CLEVER	6
AIM HIGHER WITH THE AKW RISE & FALL BIDET	9
CLOSE-COUPLED BIDET	10
BACK-TO-WALL BIDET	12
WALL-HUNG BIDET	14
RISE & FALL BIDET	16
SENSOR OPERATED SWITCH	18
TECHNICAL SPECIFICATION	20
HOW TO ORDER	24
WHAT SETS AKW APART?	26



£45,170.97

Donated to Support Charities & Causes



43

Charities & Causes Supported



£422,910.78

Worth of Product Donated to Charities & Causes



160.5

Days Colleagues Have Spent Volunteering



£23,766.64

Spent Paying Colleagues to Volunteer During Work Hours



4.76 Tonnes

Plastic Saved Through Waste Reduction



82%

Electricity from Renewable Sources

# DIGNITY REDEFINED

## AT THE HEART OF OUR INTIMATE CARE COLLECTION IS THE AKW BIDET

Ideal for a range of bathroom installations, the AKW Bidet offers a cost-effective, quick to install, easy to use and maintain bidet, with two models available, depending on your needs.

Our **Side-Entry Bidet** has been designed for installation on existing toilet pans and features an external side-entry water feed. This flexibility means the bidet can be easily removed and re-installed on another pan if required in the future.

For those wanting a longer-term solution, our **Bottom-Entry Bidet** has been designed specifically for use with select pieces of sanitaryware from our Navlin and Navlin Doc M collections, with a bottom-entry water feed that is cleverly concealed within the toilet pan.

The AKW Bidet is available with a choice of two seat options, both of which can be easily removed, and used with or without the detachable lid, depending on your preference or installation type.



Our **Ergonomic bidet seat** moulds to the natural contours of the body for optimum comfort, as we understand visiting the toilet may take longer for some than others. It has also been designed for compatibility with most common UK toilet pans, with a wide **seat and standard-sized aperture**.



The **Consilio bidet seat** benefits from a contemporary aesthetic which has been specially designed to offer a clean, flush finish when paired with AKW Livenza Plus, Navlin, and Navlin Doc M sanitaryware. It also features a larger aperture which provides additional care benefits for those who need it.



# THE FOUR Cs:

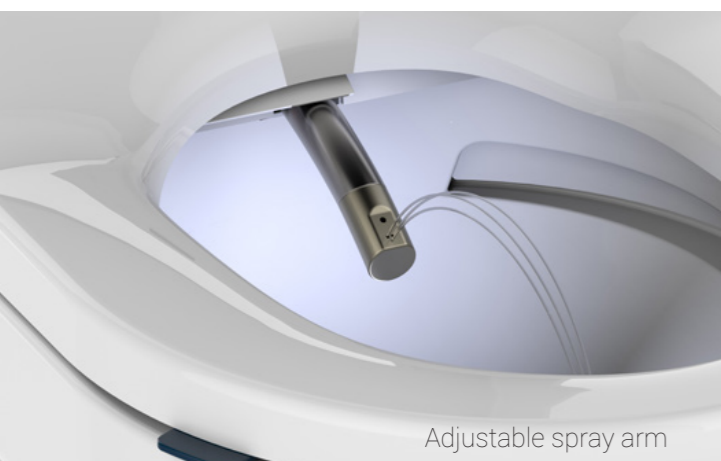
## CLEAN, CARE, COMFORT, CLEVER

We want to help those who need it, retain or regain their independence when using the toilet. To us, that isn't too much to ask, which is why we've designed the AKW Bidet with the Four Cs in mind.

The many adjustable settings the AKW Bidet offers can be quickly and easily tailored to meet specific cleaning requirements, all at the touch of a button.

Many useful care features have also been incorporated, each specifically addressing an often overlooked, or clinical need that can make toileting more challenging, while ensuring the experience of using the bidet is a comfortable one.

To achieve this, we have made sure everything our bidet does, it does well, with intelligent solutions cleverly designed to help make life better.



## A PERSONALISED CLEAN, YOUR WAY

**Adjustable spray control** offers thorough and refreshing cleansing exactly where and how you need it:

- + 5 rear wash positions
- + 5 feminine wash positions
- + 5 spray intensity settings (approx. 0.6 - 1L per min)
- + 1-2-minute wash cycles
- + 4 spray modes: Steady, Pulsating, Oscillating, Pulsating & Oscillating

**Instantaneous 1750W water heater** offers a steady flow of warm water with no reheating period in between washes, and a choice of multiple temperature settings:

- + 2-minute constant wash cycle
- + 1-minute gradual cooling wash cycle
- + 6-stage temperature control (approx. 31 - 39°C)

**Powerful 350W dryer** with settings that can be tailored to your specific needs:

- + 3-minute standard drying cycle
- + 6 temperature settings (approx. 40 - 52°C)
- + 5 adjustable speed settings

## WE CARE ABOUT THE LITTLE THINGS

**Remote control** provides full function control via a handheld, ergonomic remote, which is easy to use and supports carers with maximising user dignity.

**Night light** helps those with visual impairment or dementia locate the toilet in the dark or dimly lit conditions, helping to alleviate the risk of confusion.

**Seat lugs** provide discreet stability when side transferring from a chair or commode.

**Lid and seat lift assist** with front moulded grips on the lid and contrasting side tabs for easy lifting, which are not only more hygienic but also support those with limited dexterity.

**Soft-close seat and lid** are slower, quieter and therefore safer for users, especially children or those easily startled by loud noises.

**Quick-release seat and lid** allows you to adapt the bidet for various care needs, and makes cleaning easier.

**Easy to clean with a user-friendly design**, which should require very little maintenance throughout the bidet's lifetime.



## COMFORT IS KEY, ALWAYS

**Quiet heater, water pump and dryer motor** promote user dignity and allow you to use the toilet in peace.

**Optimised water pressure and flow** for efficient and continuous cleaning that encourages a relaxing, enjoyable toileting experience.

**Strong load limit of 23.5st (150kg)** ensures the bidet is suitable for a wide variety of people.

**Two stylish seat options with UK-sized apertures** allow for compatibility with most common toilet pans:

- + Ergonomic seat is shaped for maximum comfort with a wider seat
- + Consilio seat features a larger aperture ideal for care environments

## CLEVER DESIGN, FOR NOW & IN THE FUTURE...

**Integral seat sensor** prevents accidental usage by ensuring activation only occurs when the seat is in use.

**Self-cleaning function** ensures the spray arm nozzle and surrounding area are hygienic:

- + Nozzle is cleaned both before and after use
- + Automatic water purge if not used for 72 hours

**Low-pressure mode** ensures the bidet continues working efficiently during periods of low pressure

**Quick and easy for your plumber and/or electrician to install** with no specialist tools or prior training required

**Side or bottom-entry water supply** offers flexibility within a range of bathroom installations

**Flexible warranty** for peace of mind:

- + 2-year warranty provided as standard
- + Up to 5-years cover available with our extended warranty options



# AIM HIGHER WITH THE AKW RISE & FALL BIDET

As experienced designers and innovators, we're constantly thinking ahead, anticipating the next step, and creating simple solutions which can help many overcome the struggles of day-to-day life.

Driven and inspired by the success of the AKW Bidet, we consulted renowned occupational therapists to devise a bidet product that further addresses the clinical needs of those with reduced mobility when toileting, challenges which often demand more specialist solutions.

The AKW Rise & Fall Bidet offers all the fantastic features of the AKW Bidet, but with an adjustable wall-hung toilet pan that raises and lowers to the height you require, weight-loading fold-up support arms, and a stylish design that feels at home in any modern bathroom.

## AT A GLANCE...

**Contemporary design incorporates toughened safety glass and a wall-hung toilet pan** for a minimalist aesthetic which is low maintenance and simple to clean

**Easy-to-use buttons on both arms raise and lower the toilet pan** to your individual requirements, particularly benefitting those living in multi-generational or multi-user households as the height is not defined at the point of installation, unlike some other products

**Rimless toilet pan with direct flushing technique** improves hygiene by reducing the build-up of bacteria and making cleaning easier

**Fold-up arms support up to 18.8st (120kg)** and enable greater access when completing side transfers, with friction preventing a hard drop

**Adjustable toilet pan offers a flexible height range of 410-610mm** from the finished floor level to the top of the pan, enabling safer and easier side transfers on/off wheelchairs, shower chairs and commodes



# CLOSE-COUPLED BIDET



Browse  
Close-Coupled  
Bidet Details

A modern and discreet solution for wash/dry toileting, the Close-Coupled Bidet feels at home in any bathroom with its subtle yet stylish design and accessible price point.

## The Close-Coupled Bidet is comprised of three products:

- + AKW Bottom-Entry Bidet with Consilio Seat & Lid which benefits from multiple adjustable wash/dry settings as well as useful care features
- + Navlin Raised-Height, Close-Coupled Pan for Bottom-Entry Bidet which has been designed to cleverly conceal bidet pipework, offering an integrated, modest bidet solution
- + Two cisterns are available to choose from, depending on your flush requirements:
  - Navlin Doc M Cistern with Lever Flush
  - Navlin Cistern with Raised Push Button Flush
- + A Sensor Flush is also available if required

To make ordering even easier, all products can be purchased in one simple pack.

## PRODUCT CODE

AKW Close-Coupled Bidet with Lever Flush	<b>28410L</b>
--	---------------

AKW Close-Coupled Bidet with Raised Push Button Flush	<b>28410P</b>
---	---------------

## COMPATIBLE PRODUCTS

Sensor Flush	<b>28404</b>
--------------	--------------

## FEATURES & BENEFITS:

- + Raised-height toilet pan makes it easier for people with limited mobility to lower and rise from the toilet
- + Rear holes in the toilet pan conceal AKW Bidet pipework for an enhanced cosmetic finish and reduction of hazards in the event of a trip or fall
- + Rimless toilet pan with direct flushing technique offers improved hygiene by reducing the build-up of bacteria and making cleaning easier
- + Toilet pan can support up to 60st (400kg); bidet seat can support a maximum load of 23.5st (150kg)
- + Navlin and Navlin Doc M close-coupled cisterns come with a choice of raised push button, spatula lever, or sensor flush options, all of which are non-handed and can be easily operated by hand, closed fist or elbow
- + Pair with Navlin and Navlin Doc M wash basins for a complete bathroom suite



# BACK-TO-WALL BIDET



Browse  
Back-to-Wall  
Bidet Details

Providing a stylish and Doc M compliant wash/dry toileting solution, the Back-to-Wall Bidet is suitable for a variety of individuals and can be installed with a concealed cistern, with AKW Bathroom Furniture, or with a low-level cistern.

## The Back-to-Wall Bidet is comprised of two products:

- + AKW Bottom-Entry Bidet with Consilio Seat & Lid which benefits from multiple adjustable wash/dry settings as well as useful care features
- + Navlin Doc M Raised-Height, Back-to-Wall Pan for Bottom-Entry Bidet which has been designed to cleverly conceal bidet pipework, offering an integrated, modest bidet solution

To make ordering even easier, both products can be purchased in one simple pack, with compatible cisterns and furniture available separately depending on your installation requirements.

## PRODUCT CODE

AKW Back-to-Wall Bidet

**28412**

## FEATURES & BENEFITS:

- + Doc M compliant, raised-height toilet pan makes it easier for people with limited mobility to lower and rise from the toilet
- + Rear holes in the toilet pan conceal AKW Bidet pipework for an enhanced cosmetic finish and reduction of hazards in the event of a trip or fall
- + Rimless toilet pan with direct flushing technique offers improved hygiene by reducing the build-up of bacteria and making cleaning easier
- + Four-point, side-entry floor fixings reduce the build-up of dust and bacteria, are easier to clean, and come with white cosmetic caps to prevent rusting
- + Toilet pan can support up to 60st (400kg); bidet seat can support a maximum load of 23.5st (150kg)
- + Can be installed with a concealed cistern or AKW bathroom furniture for a streamlined aesthetic that hides any unsightly pipework
- + Can be installed with a low-level cistern, flush pipe, and optional padded back rest (available in contrasting colours); cisterns are available with a choice of raised push button, spatula lever, or sensor flush options, all of which are non-handed and can be easily operated by hand, closed fist or elbow
- + Pair with Navlin and Navlin Doc M wash basins for a complete bathroom suite



# WALL-HUNG BIDET



Browse  
Wall-Hung  
Bidet Details

Ultra-modern and minimalist in its design, the Wall-Hung Bidet can be installed at a height ideal for the individual and feels at home in any 21st century bathroom.

## The Wall-Hung Bidet is comprised of four products:

- + AKW Bottom-Entry Bidet with Consilio Seat & Lid which benefits from multiple adjustable wash/dry settings as well as useful care features
- + Wall-Hung Pan for Bottom-Entry Bidet which has been designed to cleverly conceal bidet pipework, offering an integrated, modest bidet solution
- + Geberit Duo Fix Wall-Hung Frame & Cistern which allows for a strong and reliable installation
- + Geberit Kappa 20 Flush Plate (Chrome)

To make ordering even easier, all four products can be purchased in one simple pack.

## PRODUCT CODE

AKW Wall-Hung Bidet

**28413**

## FEATURES & BENEFITS:

- + Minimalist wall-hung toilet pan creates the illusion of space and enables easier cleaning
- + Rear holes in the toilet pan conceal AKW Bidet pipework for an enhanced cosmetic finish and reduction of hazards in the event of a trip or fall
- + Rimless toilet pan with direct flushing technique offers improved hygiene by reducing the build-up of bacteria and making cleaning easier
- + Toilet pan and frame can support up to 60st (400kg); bidet seat can support a maximum load of 23.5st (150kg)
- + Concealed wall-hung frame and integrated cistern keeps unsightly pipework hidden for a more streamlined look
- + Adjustable frame allows the pan to be installed at a height ideal for the individual (from 820-1020mm)
- + Pair with Navlin and Navlin Doc M wash basins for a complete bathroom suite



# RISE & FALL BIDET



Browse  
Rise & Fall  
Bidet Details

Designed to provide a contemporary and flexible wash/dry toileting solution, the Rise & Fall Bidet addresses a variety of clinical needs while promoting the retention or increase of independence and dignity.

Featuring a wall-hung bidet which benefits from an adjustable height range, easy-to-use up/down buttons, and weight-loading fold-up arms, the Rise & Fall Bidet is suitable for people of different heights, ages and needs.

## The Rise & Fall Bidet is comprised of three products:

- + AKW Bottom-Entry Bidet with Consilio Seat which benefits from multiple adjustable wash/dry settings as well as useful care features
- + Wall-Hung Pan for Bottom-Entry Bidet which has been designed to cleverly conceal bidet pipework, offering an integrated, modest bidet solution
- + Rise & Fall Cistern Unit which enables the individual to adjust the pan height, incorporates fold-up support arms, and houses the concealed cistern with built-in dual push button flush

To make ordering even easier, all three products can be purchased in one simple pack. Pair with our range of Navlin and Navlin Doc M wash basins for a complete bathroom suite.

## PRODUCT CODE

AKW Rise & Fall Bidet

**28414**

## FEATURES & BENEFITS:

- + Height of the toilet pan can be adjusted, offering a flexible height range of 410-610mm from the finished floor level to the top of the pan, and enabling safer, easier side transfers
- + Easy-to-use up/down buttons on both arms raise and lower the toilet pan to your individual requirements, benefitting those living in multi-generational or multi-user households
- + Rear holes in the toilet pan conceal AKW Bidet pipework for an enhanced cosmetic finish and reduction of hazards in the event of a trip or fall
- + Rimless toilet pan with direct flushing technique improves hygiene by reducing the build-up of bacteria and making cleaning easier
- + Concealed cistern keeps unsightly pipework hidden for a more streamlined look, with the dual push button flush offering full (6 litre) and reduced flush options
- + Weight-loading arms aid with safe navigation around the bathroom and fold up to enable greater access, with friction preventing a hard drop
- + Cistern unit with toilet pan can support up to 60st (400kg); bidet seat can support up to 23.5st (150kg); arms can support up to 18.8st (120kg) each
- + Incredibly stylish aesthetic with toughened safety glass front panels, a minimalist wall-hung pan and grey arms



# SENSOR OPERATED SWITCH



Browse  
Sensor Operated  
Switch Details

Designed for use with the AKW Bidet, the Sensor Operated Switch includes a fully customisable, large integrated button as well as a contact-free sensor, which enables people with limited dexterity to activate the bidet's rear wash, female wash or air-dry functions by hand, closed fist, elbow or foot.

Each switch can be programmed to operate up to two of the following functions: rear wash (default), female wash or air-dry, with the sensor and button programmed to operate either the same function, or two different functions, if required. Multiple switches can be installed to allow people to operate all three of the above functions, if needed.

## PRODUCT CODE

Sensor Operated Switch for AKW Bidet **30505**

## COMPATIBLE PRODUCTS

AKW Close-Coupled Bidet with Lever Flush	<b>28410L</b>
AKW Close-Coupled Bidet with Raised Push Button	<b>28410P</b>
AKW Back-to-Wall Bidet	<b>28412</b>
AKW Wall-Hung Bidet	<b>28413</b>
AKW Rise & Fall Bidet	<b>28414</b>

## FEATURES & BENEFITS:

- + Push button with large surface area and integrated contact-free sensor designed to be easy-to-use by people with limited dexterity using a hand, closed fist, elbow or foot:
  - Activate selected function(s) by pressing button or waving in front of the contact-free sensor
  - Stop selected function(s) by long pressing button or long-stay in front of the contact-free sensor
- + Each switch operates up to two of the following functions: rear wash (default), female wash or air-dry with the button and sensor able to activate the same function, or one function each
- + Multiple switches can be paired with a bidet, allowing the option of programming one function per button for simplicity, if required
- + Supplied with two sets of programme identification stickers, one to advise the function selected, and a spare set should the function be changed in the future
- + Pairs with individual bidets, allowing multiple installations in the same building
- + Versatile installation, adhere to the wall or floor using screws or the adhesive pad provided
- + Battery powered with long battery lifetime; notification advises when batteries are low, changing batteries requires no tools (batteries not supplied)
- + Water resistant and easy to clean



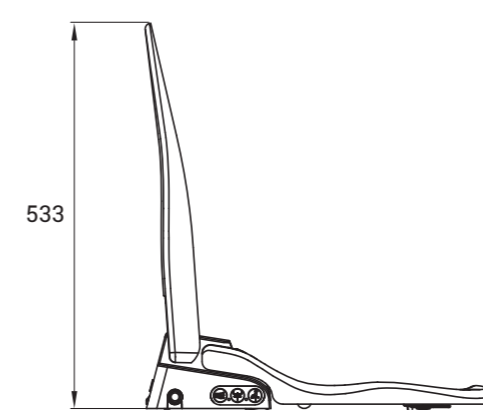
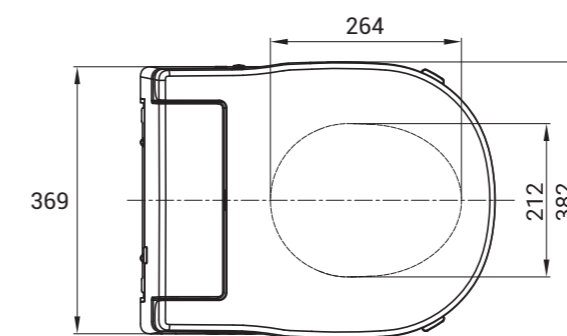
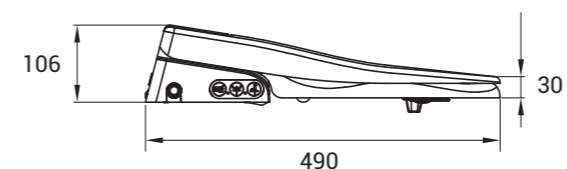
# TECHNICAL SPECIFICATION

## AKW BIDET

	FUNCTION	DESCRIPTION
<b>Wash</b>	Rear wash	Yes
	Feminine wash	Yes
	Oscillating spray	Yes
	Pulsating spray	Yes
	Oscillating and pulsating spray	Yes
	Adjustable water temperature	6 levels (default 4th)
	Temperature modes	Constant temperature (default) and gradual cooling
	Adjustable flow rate	5 steps (default 3rd)
	Adjustable spray position	5 steps (default 3rd)
	<b>Warm Air</b>	Air drying
Adjustable dryer temperature		6 levels (default 3rd)
Adjustable dryer rate		5 steps (default 3rd)
<b>Hygiene</b>	Nozzle auto cleaning	Yes
	Nozzle manual cleaning	Yes
<b>Features</b>	Night light	Yes
	Soft-closing seat and lid	Yes
	Quick-release seat and lid	Yes
	Control buttons	Yes
	Remote control	Yes
<b>Specification</b>	Water supply connector	G 1/2" / G 3/8"
	Water supply direction	Side or bottom entry
	Water supply pressure	Min 0.5 (dynamic) ~ Max 8 (static) (in standard mode)
	Water supply temperature	4 ~ 30°C
	Rated voltage	AC230V, 50HZ
	Power rating	1750W
	Length of power cord	Approx 1.5m
	Ambient temperature	4 ~ 40°C
	Protection degree	IPX4
	Maximum weight loading	23.5st / 150kg
<b>Wash Device</b>	Flow rate (standard)	600 ~ 1000ml/min
	Flow rate (low)	450 ~ 650ml/min
	Water temperature	31 ~ 39°C
	Wash cycle time (standard)	2 Minutes at constant temperature mode or 1 minute at gradual cooling mode.
	Wash cycle time (low)	1 Minute at constant temperature mode and gradual cooling mode.
<b>Dry Device</b>	Heating mode	Element
	Safety device	Thermal cut out fuses / liquid level switch / thermostat
	Back flow prevention	Air gap
	Minimum air volume	0.2m³ / min
	Maximum dryer power	350W
<b>Remote Control</b>	Warm air temperature	40 ~ 52°C
	Dry cycle time	3 minutes
	Safety device	Thermal cut out fuses / thermostat
<b>Remote Control</b>	Frequency	~2460MHz
	Maximum RF output power	0dBm
	Type of batteries	2x 1.5V LR03 AAA (batteries not included)

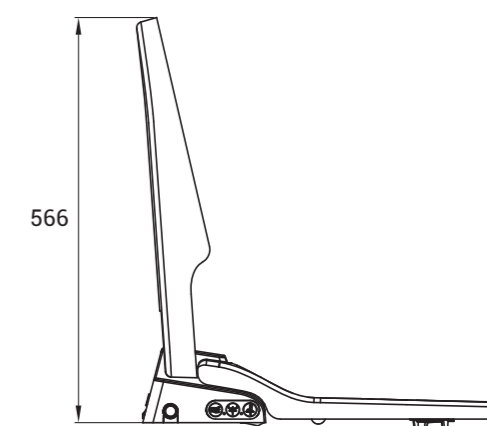
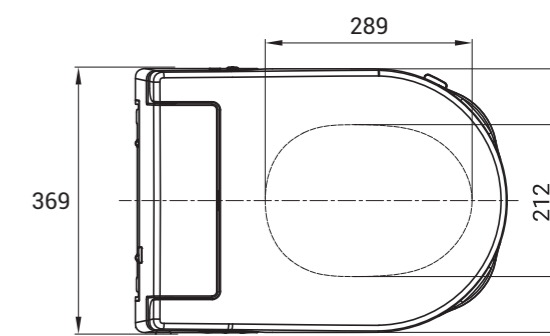
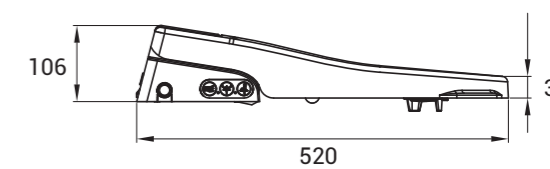
### ERGONOMIC SEAT FOR AKW BIDET

Designed for use with most common UK toilet pans



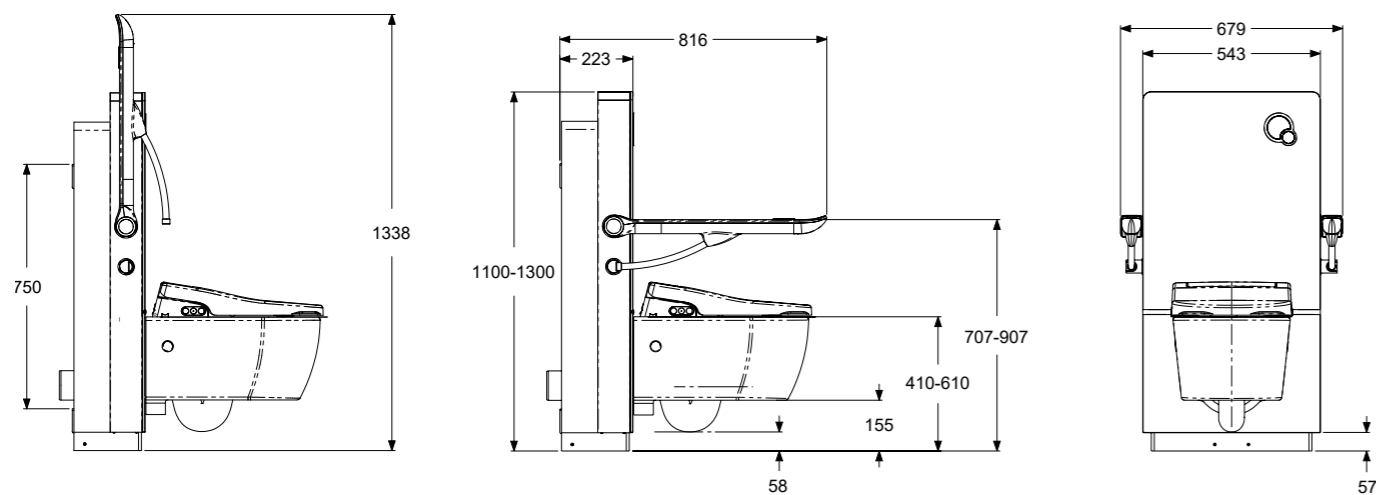
### CONSILIO SEAT FOR AKW BIDET

Designed for use with AKW Livenza Plus, Navlin and Navlin Doc M toilet pans



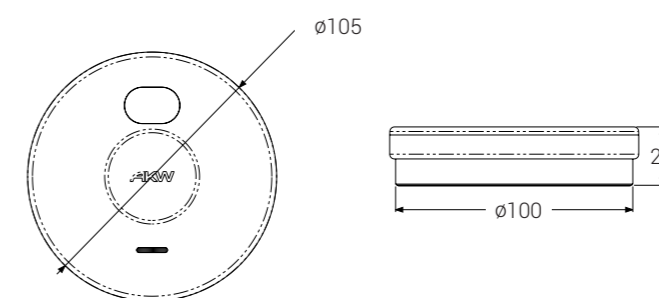
## AKW RISE & FALL CISTERN UNIT

FUNCTION	DESCRIPTION
Flush Volume	6L (Full Flush) & Reduced Flush
Lift Direction	Vertical Lift
Rated Voltage	AC 220-240V,50/60Hz
Max. Power	200W
Drive Mode	DC Motor Lead Screw
Duty Cycle	10%, Max. 2 Min Operate/Min. 18 Min Stop
Operation Switch	Push-Button Switch
Adjustable Lifting Range	200mm
Length of Power Cord	2m
Max. Load Weight	60st / 400kg
Max. Load Weight Each Arm Rest	18.8st / 120kg
Waterproof Rating	IPX4
Ambient Temperature	4 ~ 40C
Drainage Direction	Wall & Floor Drainage
Dimensions (mm)	(H) 1099 x (W) 543 x (D) 212
Net Weight	55.9kg
Colour of Glass Panel	White



## SENSOR OPERATED SWITCH FOR AKW BIDET

FUNCTION	DESCRIPTION
Dimensions (mm)	105mm (diameter), 25mm (height)
Material	ABS outer case, aluminium base
Colour	White
Finish	Matt finish
Installation	Can be wall or floor mounted with screws or adhesive pad
Operation Switch	2 - button and contact-free sensor
Battery Requirements	3 x AAA (not supplied)



## APPROVALS & WARRANTY

At AKW, we pride ourselves on being able to deliver high-quality bathroom products which meet the required standards that enable them to be specified in a variety of different environments and can be trusted to perform as we intend them to.

- + All toilet pans, wash basins and pedestals comply with BS EN 997
- + All electrical items comply with BS EN 60335-1
- + Rise & Fall Cistern Unit complies with Machinery Directives 2006/42/EC and tested to EN 60335-1 and EN 62233
- + AKW are self-certifying and supplying approved flush fittings in line with current UK water regulations for compliance purposes
- + UKCA & CE approved

You can find details of our various warranties below; please be aware that all our product warranties exclude damage, misuse, limescale build-up, and wear and tear.



2-year warranties are provided as standard with the AKW Bidet and Sensor Operated Switch.



5-year warranty provided as standard with the AKW Rise & Fall Bidet.



Lifetime warranty on all AKW toilet pans, wash basins, and pedestals.





The product codes below will enable you to place your order with us quickly and efficiently, with supporting information provided to help you to make the best selection to meet your installation requirements.

## AKW BIDETS

Side-Entry AKW Bidet with Consilio Seat & Lid	30501
Side-Entry AKW Bidet with Ergonomic Seat & Lid	30502
Bottom-Entry AKW Bidet with Consilio Seat & Lid	30503
Bottom-Entry AKW Bidet with Ergonomic Seat & Lid	30504

## CLOSE-COUPLED BIDETS

AKW Close-Coupled Bidet with Lever Flush	28410L
AKW Close-Coupled Bidet with Raised Push Button Flush	28410P

To opt for our contact-free, sensor flush option, you will need to order the below product code with 28410P AKW Close-Coupled Bidet with Raised Push Button Flush, and replace the button flush with the sensor flush valve during installation.

Sensor Flush	28404
--------------	-------

## BACK-TO-WALL BIDET 28412

If installing with a concealed cistern, you will need to order the below concealed cistern and flush plate:

Dudley Miniflo Cistern	28179
Palm-Push Dual Flush Plate	28180

If installing with AKW Bathroom Furniture, you will need to select from the below WC units, which include a concealed cistern and recessed flush button, and our range of countertops:

Driftwood 500mm WC Unit	28152DFT
Lancaster Oak 500mm WC Unit	28152LAN
White Gloss 500mm WC Unit	28152WHT

Driftwood 600mm WC Unit	28153DFT
Lancaster Oak 600mm WC Unit	28153LAN
White Gloss 600mm WC Unit	28153WHT

Driftwood 500mm Slimline WC Unit	28156DFT
Lancaster Oak 500mm Slimline WC Unit	28156LAN
White Gloss 500mm Slimline WC Unit	28156WHT

Driftwood 600mm Slimline WC Unit	28157DFT
Lancaster Oak 600mm Slimline WC Unit	28157LAN
White Gloss 600mm Slimline WC Unit	28157WHT

White Gloss Standard Countertop	28131WHT
Everest Standard Countertop	28131BLK
Driftwood Standard Countertop	28131DFT

White Gloss Slimline Countertop	28132WHT
Everest Slimline Countertop	28132BLK
Driftwood Slimline Countertop	28132DFT

Matching wash basin units, semi-recessed wash basins, and brassware are also available, please visit our website or speak to our Customer Services colleagues for more information.

If installing a low-level WC, you will need to select one of the two compatible cisterns:

Navlin Low-Level Cistern with Raised Push-Button Flush & Flush Pipe	23549
Navlin Doc M Low-Level Cistern with Lever Flush & Flush Pipe	23559

To opt for our contact-free sensor flush option, order the below product code with 23549 Navlin Low-Level Cistern with Raised Push Button Flush, and replace the button flush with the sensor flush valve during installation.

Sensor Flush	28404
--------------	-------

If you would benefit from installing a padded back rest to offer additional support and comfort when using the toilet, we have three options available to purchase, which offer colour contrast if required:

PU Padded Back Rest & Rail (Blue)	01190BU
PU Padded Back Rest & Rail (Grey)	01190GR
PU Padded Back Rest & Rail (White)	01190WH

## WALL-HUNG BIDET 28413

## RISE & FALL BIDET 28414

## SENSOR OPERATED SWITCH 30505

## EXTENDED WARRANTY OPTIONS

The AKW Bidet comes with a 2-year warranty as standard, but can be purchased with 1, 2, or 3-years additional cover with our extended warranty products.

Extended warranty should be added to your order at the time of purchase, or ordered within 30 days (maximum) of purchase.

AKW Bidet 1-Year Extended Warranty	30501-1
AKW Bidet 2-Year Extended Warranty	30501-2
AKW Bidet 3-Year Extended Warranty	30501-3

## DELIVERY INFORMATION

Many of our products, including the AKW Bidet and our ranges of sanitaryware, are available with next-working-day delivery across the UK mainland, a service expertly provided by our delivery partner, XPO Logistics. Given the increased weight of the AKW Rise & Fall Bidet, you should be aware of the following delivery requirements:

- + 2-person delivery is required in order for us to safely deliver the product
- + Room of choice delivery will ensure the unit is brought safely into the building and the room it will be installed in
- + In order to arrange a safe delivery, we aim to deliver within 2-working days to addresses on the UK mainland

Further information about deliveries to areas outside of the UK mainland can be found on our website.

## NAVLIN & NAVLIN DOC M WASH BASINS

All AKW Bidet packs are designed to complement our range of Navlin and Navlin Doc M wash basins and pedestals with consistent colour, glazing, and finishes throughout.

Should you wish to add compatible sanitaryware to your order, please choose from the below products to complete your bathroom suite:

Navlin Wash Basin 450mm 1 Tap Hole	23576
Navlin Wash Basin 450mm 2 Tap Hole	23577
Navlin Wash Basin 500mm 1 Tap Hole	23578
Navlin Wash Basin 500mm 2 Tap Hole	23579
Navlin Wash Basin 550mm 1 Tap Hole	23580
Navlin Wash Basin 550mm 2 Tap Hole	23581
Navlin Semi-Pedestal	23587
Navlin Full-Height Pedestal	23586
Navlin Corner Wash Basin	23548
Navlin Doc M Finger Rinse 400mm Wash Basin	23117

A broad range of chrome-finished, inclusively designed brassware is also available to order, please visit our website or speak to our Customer Services colleagues for more information.

## INSTALLATION ADVICE

The AKW Bidet is designed to be quick and simple to install, however, we recommend that your installer has sufficient plumbing and/or electrical knowledge to ensure a safe installation.

For the AKW Rise & Fall Bidet, we would highly recommend a 2-person installation is undertaken, with the cistern unit fitted by an NICEIC qualified electrician with plumbing knowledge, in accordance with UK electrical and water regulations.

# WHAT SETS AKW APART?



Scan to visit our website



## INDUSTRY INNOVATORS

With a portfolio of over 5,500 products designed to offer a one-stop shop solution, our expert in-house engineers create inclusive innovations that aim to make life better - and we do exactly that, better than anybody else.

## MANUFACTURED TO LAST

As experienced manufacturers, we oversee every stage of the production process from beginning to end, that's why we're confident enough to offer the longest warranties in the market and give our customers ultimate peace of mind.

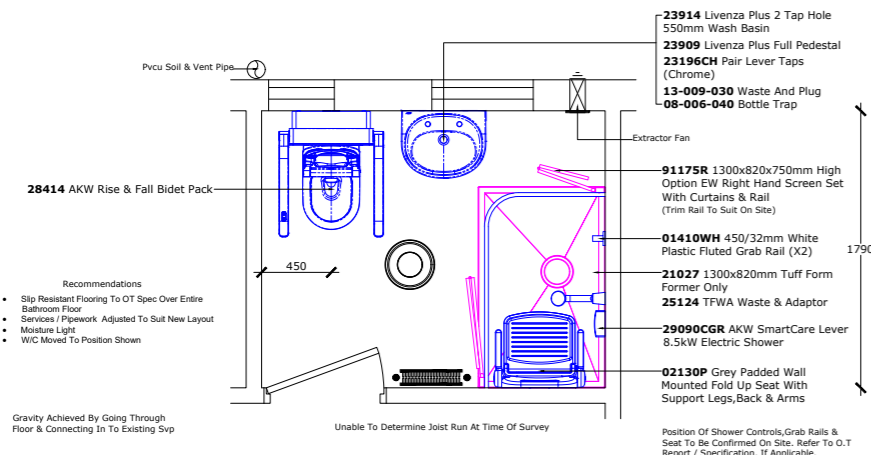
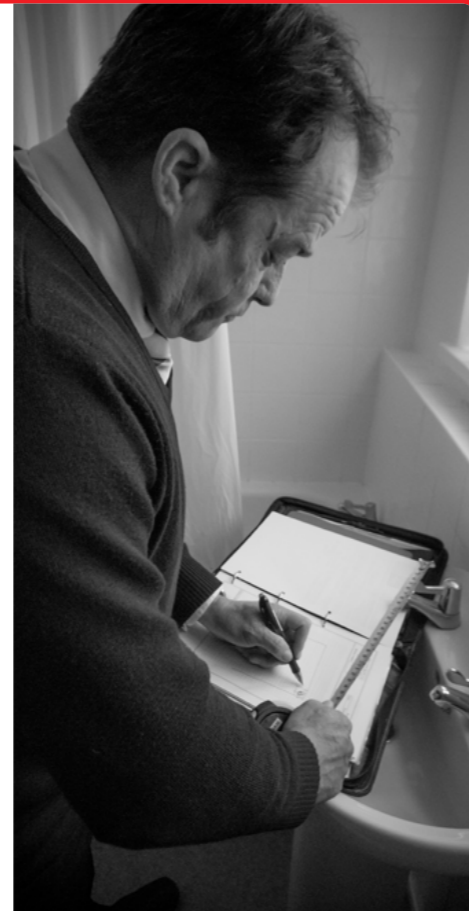
## PRIORITISING SAFETY

Our products are independently assessed and certified by third-party organisations, and rigorously inspected by AKW Quality Control colleagues who work to ISO standards to ensure they meet the required care and safety standards for our customers.

## NATIONWIDE SURVEYING SERVICE

Our nationwide team of skilled Surveyors can conduct on-site visits on the UK mainland within 10 days of full instruction.

During their visit, they will take a variety of measurements and offer advice about the options available. After this, they will provide detailed 2D drawings of the existing and future bathroom designs to help deliver the most effective bathroom installation for the resident.



## WE'RE HERE TO HELP

Our experienced network of Sales Representatives can offer insightful knowledge and practical advice, we can even deliver Toolbox Training in person, in your local area.

We're also lucky to have a team of regional Customer Service Advisors trained to deliver market-leading support to our customers on the phone or via email.



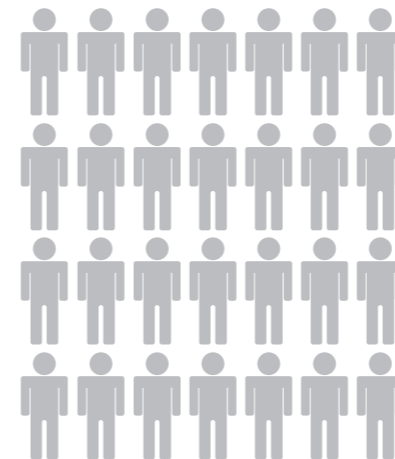
## DEDICATED TRANSPORT NETWORK

With stock available from several UK-wide distribution hubs, we're able to provide next-working-day delivery services in partnership with renowned national distributors XPO Logistics and DPD, who delivered an impressive 99.16% of orders on time and in full in 2024.

## AFTERCARE & ON-SITE REPAIR

Take advantage of expert guidance from our in-house Technical Team who are just at the end of the phone and boast years of experience in the plumbing industry.

Should you need technical support on site, our nationwide team of skilled Maintenance Engineers can be with you within 3-working-days, if required.





**ORDERS & QUOTES**

01905 823 299  
orders@akw-ltd.co.uk

**GENERAL ENQUIRIES**

01905 823 298  
sales@akw-ltd.co.uk

**TECHNICAL ENQUIRIES**

01905 560 219  
tech@akw-ltd.co.uk

**AKW**

Pointon Way, Hampton Lovett  
Droitwich Spa, WR9 0LR

Total Park, Pochin Way,  
Middlewich, CW10 0GT

akw-ltd.co.uk  
orders.akw-ltd.co.uk



v3 02/26

Scan to browse  
the AKW Bidet  
Collection online



Visit our Technical  
Hub to view a range  
of helpful videos

